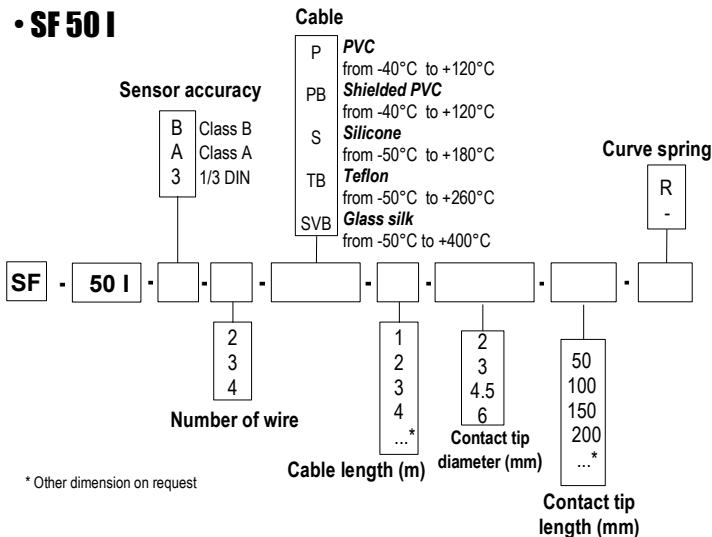


**Cable temperature probe
at resistive element and collapsible
contact tip**

SF 50 I – SFD 50 I

Part numbers

• SF 50 I

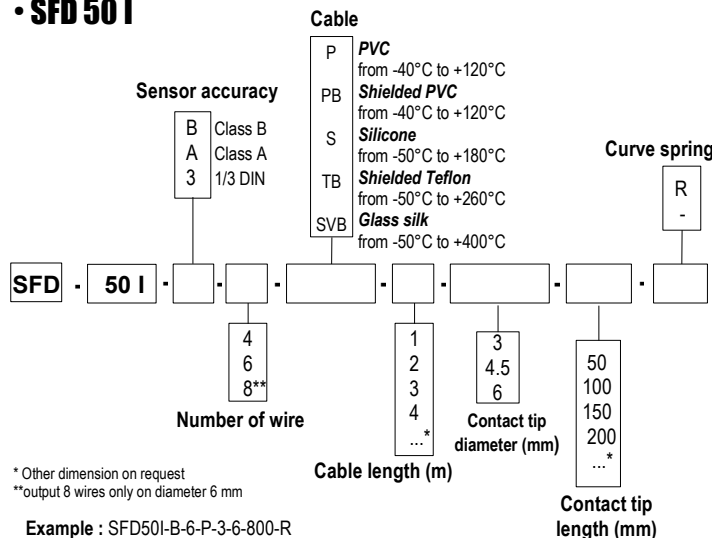


* Other dimension on request

Example : SF50I-B-4-P-3-2-500-R

Model : PT 100 temperature sensor class B, 4 wires, PVC cable of 3 m length. Contact tip of 2 mm diameter and 500 mm of length with curve spring.
Measuring range from -50 to + 550 °C

• SFD 50 I



* Other dimension on request

**output 8 wires only on diameter 6 mm

Example : SFD50I-B-6-P-3-6-800-R

Model : PT 100 temperature sensor class B, 6 wires, PVC cable of 3 m length. Contact tip of 6 mm diameter and 800 mm length with curve spring.
Measuring range from -50 to +550 °C

Probe features

- Temperature probe mounted on conductor cable with contact tip
- Measuring range from **-50°C to +550°C**
- Output 2, 3 or 4 wires for SF 50 I
4, 6 or 8 wires for SFD 50 I

Technical features

Operating temperature.....from -50°C to +550°C

Accuracy.....See "Tolerances" table

Sensor type.....PT100 : Class B, Class A and 1/3 DIN
As per DIN IEC751

Storage temperature.....from -20°C to +80°C

Contact tip.....lined collapsible (semi-rigid)

Stainless steel 316 L without welding



Non-collapsible zone on 25 mm at the end of the contact tip

Junction.....5 mm diameter and 50 mm length in standard
temperature max. : 150 °C

Waterproof junction on request

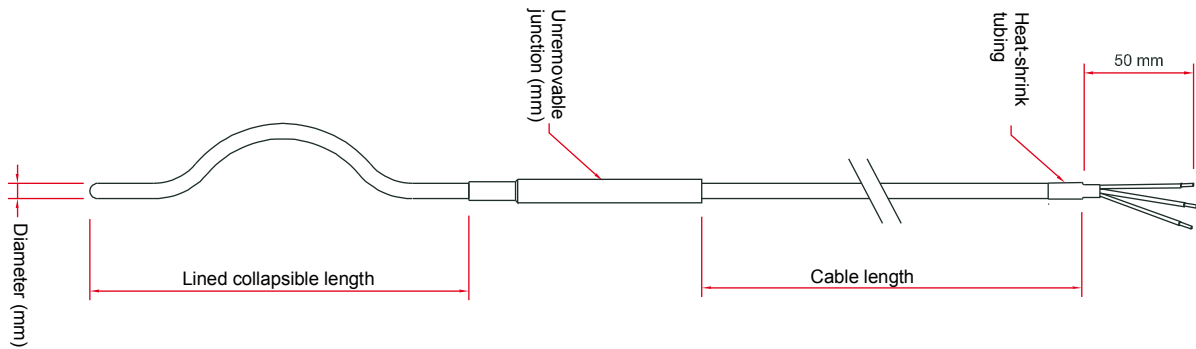
Cable.....PVC and shielded PVC : from -40 to +150 °C

Silicone : from -50 to +180 °C

Teflon : from -50 to +250 °C

Glass silk : from -50 to +400 °C

■ Dimensions



■ Tolerance* of PT100 probes.

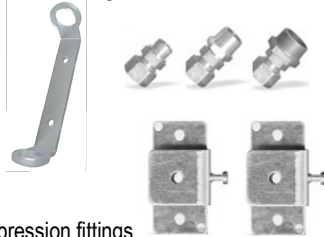
Norms as per IEC 751 (1993).

Temp °C	Tolerances					
	Class B		Class A		1/3 DIN	
	± °C	± Ohms	± °C	± Ohms	± °C	± Ohms
-100	0.8	0.32	0.35	0.14	0.27	0.11
-50	0.55	0.22	0.25	0.1	0.19	0.08
0	0.3	0.12	0.15	0.06	0.1	0.04
100	0.8	0.3	0.35	0.13	0.27	0.1
200	1.3	0.48	0.55	0.2	0.44	0.16
300	1.8	0.64	0.75	0.27	0.6	0.21
400	2.3	0.79	0.95	0.33	0.77	0.26

*all accuracies indicated in this technical data sheet were stated in laboratory conditions, and can be guaranteed for measurements carried out in the same conditions, or carried out with calibration compensation.

■ Accessories (See data sheet)

- Transmitter output 4/20 mA or 0/10V
- Wall fixing support
- Stainless steel mounting brackets
- ¼" or ½" Gas screw nut
- Stainless steel compression fitting
- Teflon or stainless steel ferrule for compression fittings



- Sleeve to weld for food industry
- Stainless steel union fitting
- ½" Gas or NPT thread cuff
- Thermo-conducting silicone grease
- Calibration certificate
- Thermowell



www.kimo.fr

Distributed by :



EXPORT DEPARTMENT

Tel : + 33. 1. 60. 06. 69. 25 - Fax : + 33. 1. 60. 06. 69. 29

e-mail : export@kimo.fr